

\_\_\_ Resistors

\_\_\_ Variable Resistors (Potentiometers)

\_\_\_ Diodes

\_\_\_ LEDs

\_\_\_ Capacitors

\_\_\_ Polar Capacitors

\_\_\_ Crystals

\_\_\_ Switches

\_\_\_ PNP Transistors

\_\_\_ NPN Transistors

\_\_\_ Inductors

\_\_\_ Integrated Circuits (ICs)

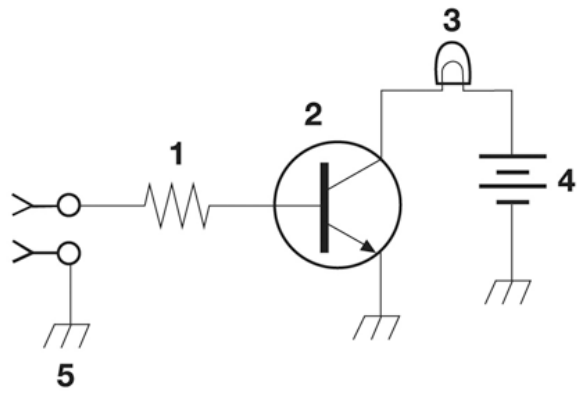


Figure T-1

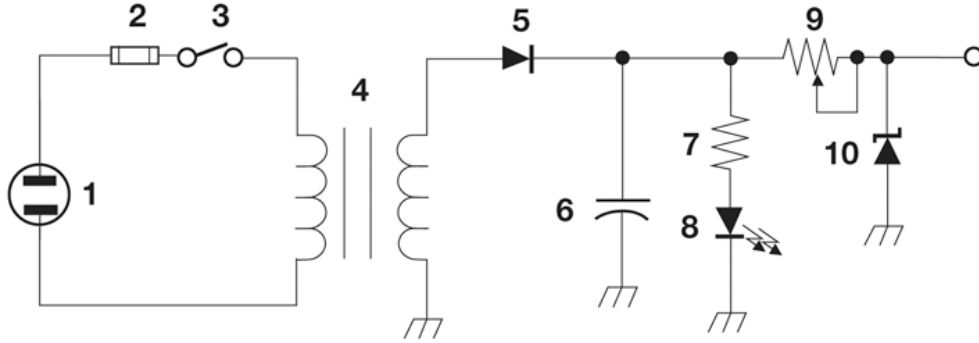


Figure T-2

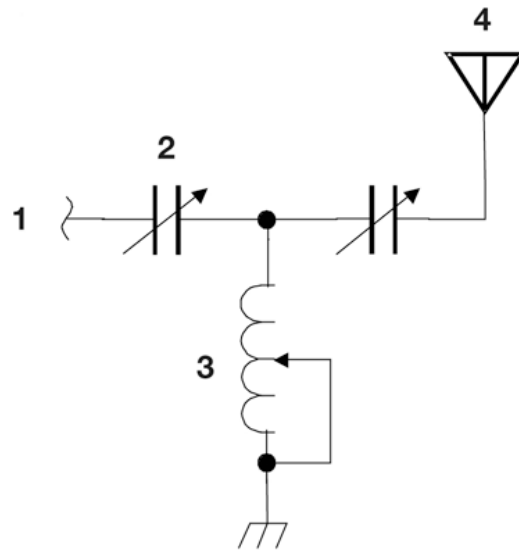
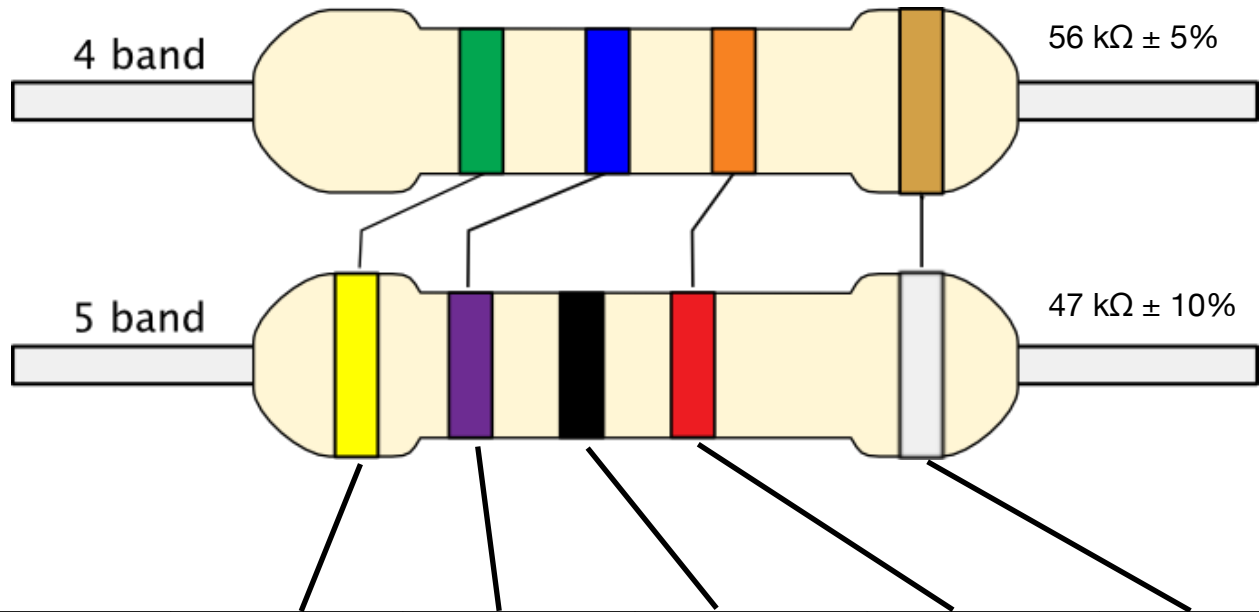


Figure T-3



Color	1st Band	2nd Band	3rd Band	Multiplier	Tolerance
Black	0	0	0	1 Ω	
Brown	1	1	1	10 Ω	± 1%
Red	2	2	2	100 Ω	± 2%
Orange	3	3	3	1,000 Ω	
Yellow	4	4	4	10,000 Ω	
Green	5	5	5	100,000 Ω	± 0.5%
Blue	6	6	6	1,000,000 Ω	± 0.25%
Violet	7	7	7	10,000,000 Ω	± 0.1%
Gray	8	8	8		± 0.05%
White	9	9	9		
Gold				0.1 Ω	± 5%
Silver				0.01 Ω	±10%

PNP = **P**oints **i**N **P**ermanently  
 NPN = **N**ever **P**oints **i**N

